

**A High
Production Option
for Grinding
Contaminated
Waste Wood and
Construction &
Demolition (C&D)**

Peterson Expands Economical Uses of High-speed Grinders

Peterson Pacific high-speed horizontal grinders produced since 1995 have all utilized a unique patented Impact Release System. This system is the only practical contamination rejection system available on high-speed horizontal grinders. It can significantly reduce the potential damage from grinding uncrushable materials.



The adjustable Peterson Impact Release System releases to allow uncrushable items to escape from the grinding chamber

A new optional Peterson Impact Release System works even better in contaminated waste wood. The new Release

System ejects uncrushable material and then re-latches permitting grinding to resume. A heavy impact opens the first grate in the grinding chamber, allowing the contaminant to be ejected into the discharge area. A deflector grate and chain curtain downstream of the grinding chamber redirect and absorb the energy of the ejected contaminated material. The adjustable release can be set to suit the specific grinding job – releasing only when appropriate.

A heavy-duty pinned-style rotor is also available with this option for quick hammer replacement, as are heavy duty grates and grate supports.

This system is particularly suited to processing waste wood, Construction & Demolition (C&D) materials, railroad tie grinding, and volume reduction of Municipal Solid Waste.



The Peterson Impact Release System is designed to reduce contaminated material while minimizing damage to the Recycler

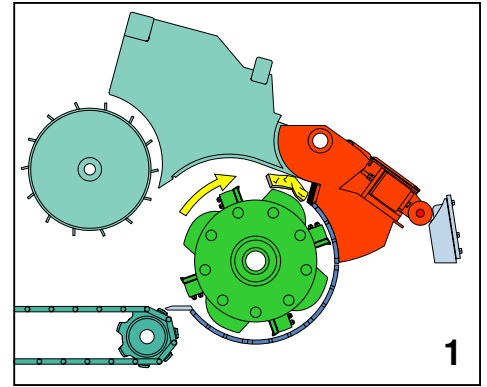
Large uncrushable materials should always be avoided when operating high-speed grinders. Peterson's Impact Release System raises the bar on the level of contaminated material that can be processed with high-speed grinders.

The Peterson Impact Release System is just another example of how Peterson is constantly improving the tools you need to do your job.

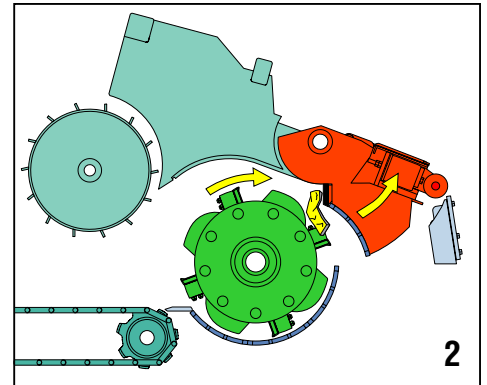
PETERSON IMPACT RELEASE SYSTEM

*A High
Production Option
for Grinding
Contaminated
Waste Wood and
Construction &
Demolition (C&D)*

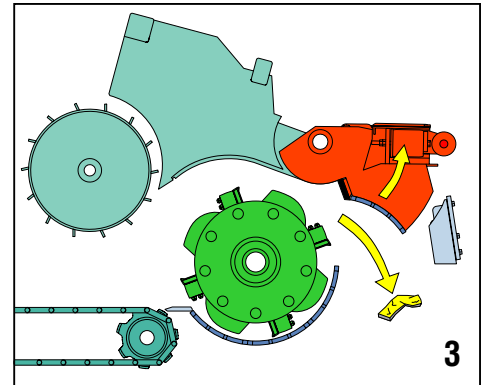
1 Steel or other contaminant enters the grinding chamber and impacts the anvil with enough force to trigger the Impact Release System.



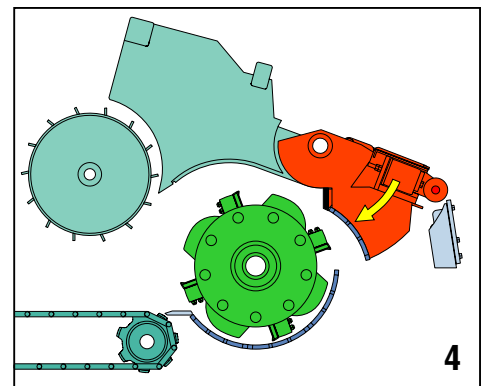
2 Release system allows anvil housing to pivot and open the first grate section.



3 Contaminant is ejected into the discharge area. Rotor and cutting bits are protected from further damage.



4 Anvil housing pivots back into operating position. Impact Release System latches and processing continues.



Peterson[™]

Peterson Pacific Corp.
29408 Airport Road
PO Box 40490
Eugene, OR USA 97404

800.269.6520 toll free
541.689.6520 phone
541.689.0804 fax
www.petersoncorp.com